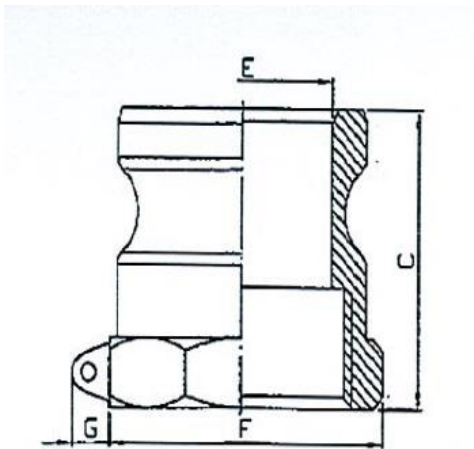


CAMLOCK COUPLING



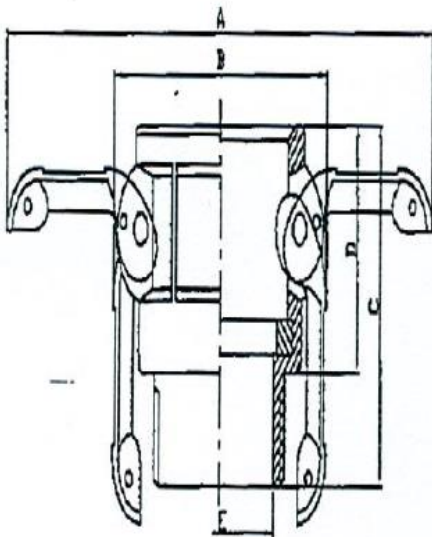
PART A – MALE ADAPTER * FEMALE THREAD



Unit:
mm

SIZE	C	E	F	G
3/4	38.50	19.80	32.50	8.50
1	52.50	24.40	38.80	8.90
1-1/2	56.04	37.34	57.14	9.70
2	62.06	46.52	66.50	9.26
2-1/2	70.80	59.68	82.50	9.18
3	71.44	74.70	96.52	10.00
4	79.50	107.60	121.86	9.40

PART B – FEMALE COUPLER * MALE THREAD

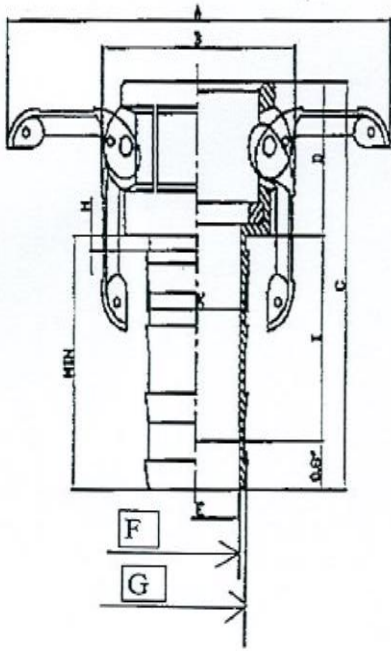


Unit:
mm

SIZE	A	B	C	D	E
3/4	109.55	61.30	50.40	31.98	18.00
1	119.23	68.02	64.04	41.00	25.40
1-1/2	184.99	87.34	68.44	46.16	37.90
2	194.49	96.70	76.30	51.92	49.52
2-1/2	242.49	109.70	84.40	54.70	64.02
3	248.46	131.70	89.40	58.26	76.94
4	276.50	160.54	96.30	59.00	103.10



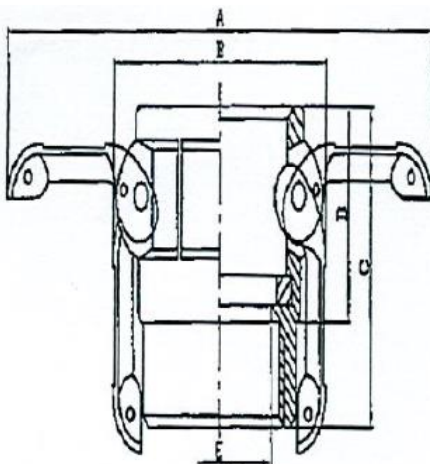
PART C – FEMALE COUPLER * HOSE SHANK



Unit:
mm

SIZE	A	B	C	D	E	F	G	MIN
3/4	109.55	61.34	84.50	32.30	13.26	18.54	21.14	50.70
1	119.23	68.34	97.88	40.08	20.70	25.06	27.24	57.64
1-1/2	184.99	86.92	116.80	46.40	31.90	36.90	40.20	69.46
2	194.49	99.96	134.40	52.24	44.10	49.00	52.00	81.70
2-1/2	242.49	109.14	136.84	56.00	58.40	6.20	65.92	80.88
3	248.46	131.62	159.74	58.30	69.26	73.96	78.24	100.70
4	276.50	159.00	169.60	58.52	94.30	99.00	103.54	109.60

PART D – FEMALE COUPLER * FEMALE THREAD

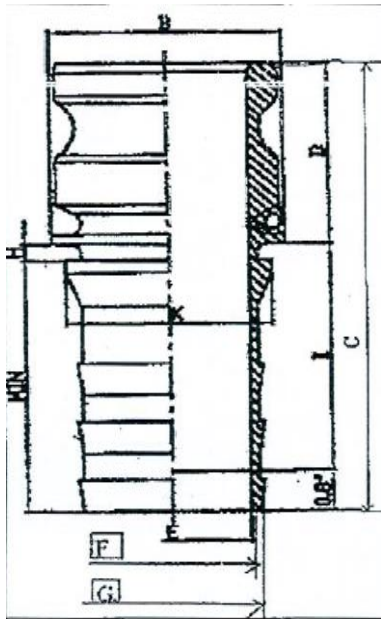


Unit:
mm

SIZE	A	B	C	D	E
3/4	109.55	61.44	51.52	32.34	19.70
1	119.23	67.94	60.00	39.96	23.96
1-1/2	184.99	87.06	70.72	45.84	38.60
2	194.49	96.80	75.00	50.86	49.00
2-1/2	242.49	108.74	85.44	55.00	62.40
3	248.46	131.50	90.90	58.00	75.70
4	276.50	159.70	95.40	59.24	95.00



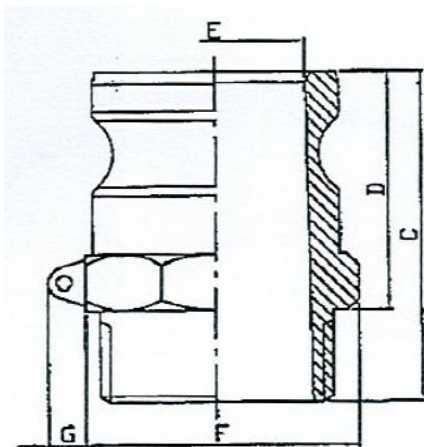
PART E – MALE COUPLER * HOSE SHANK



Unit:
mm

SIZE	A	B	C	E	F	G	MIN
3/4	109.55	33.88	88.26	13.36	18.58	20.80	50.54
1	119.23	41.40	104.84	20.80	25.02	26.60	57.04
1-1/2	184.99	57.42	124.60	32.00	36.60	40.08	69.70
2	194.49	66.80	143.46	44.36	49.30	52.40	81.60
2-1/2	242.49	81.42	144.00	58.10	63.28	65.90	80.04
3	248.46	91.74	166.90	70.20	75.22	78.58	105.00
4	276.50	118.66	178.82	94.38	98.90	103.20	110.00

PART F – MALE ADAPTER * MALE THREAD

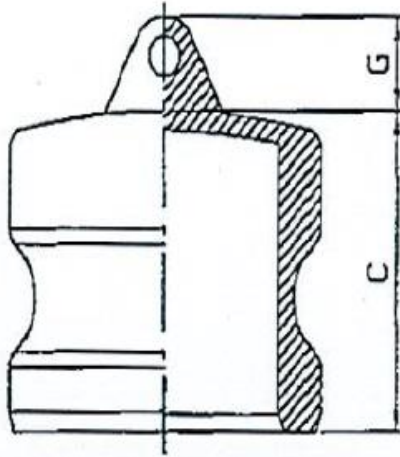


Unit:
mm

SIZE	C	D	E	F	G
3/4	59.52	40.58	21.80	32.50	7.92
1	70.40	51.96	24.46	38.36	8.80
1-1/2	79.10	57.84	37.18	57.56	10.06
2	87.40	64.26	46.60	66.96	9.30
2-1/2	99.96	71.34	57.14	81.20	9.20
3	103.30	73.84	96.34	74.20	9.74
4	103.16	73.74	74.90	96.46	9.50



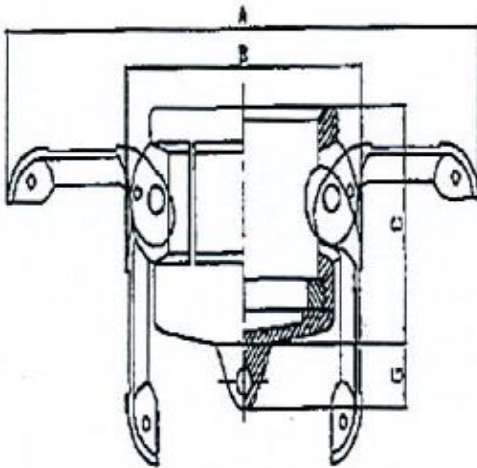
PART DP – DUST PLUG



Unit:
mm

SIZE	C	G
3/4	28.12	8.22
1	37.08	13.60
1-1/2	45.90	14.60
2	52.30	15.22
2-1/2	52.80	14.90
3	54.90	15.10
4	60.72	14.70

PART Dc – DUST CAP



Unit:
mm

SIZE	A	B	C	G
3/4	109.55	61.10	35.08	9.70
1	119.23	68.20	42.80	15.30
1-1/2	184.99	87.40	48.40	14.26
2	194.49	96.74	54.70	15.10
2-1/2	242.49	109.70	59.20	15.12
3	248.46	131.66	64.30	15.30
4	276.50	160.38	60.40	14.90

