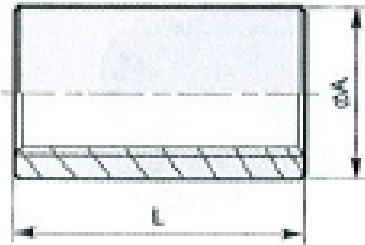


150LBS Fittings



Socket (Coupling) O.D Machined

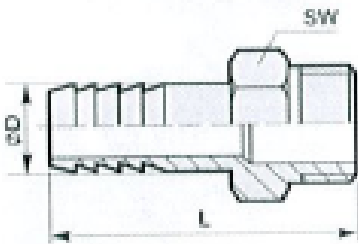
Unit:
mm



SIZE	L	ØD	SIZE	L	ØD
1/8	15.0	15.0	1 ¼	47.7	46.0
1/4	25.0	25.0	1 ½	48.0	53.5
3/8	26.0	21.3	2	56.0	69.0
½	34.0	26.4	2 ½	61.4	81.0
¾	36.0	31.8	3	71.0	103.0
1	43.0	39.8	4	83.0	126.0

HOSE NIPPLE

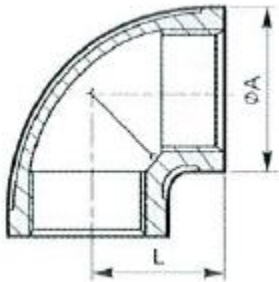
Unit: mm



SIZE	ØA	L
½	26.4	34.0
¾	31.8	36.0
1	39.5	43.0
1 ¼	49.3	48.0
1 ½	55.5	48.0
2	69.0	56.0



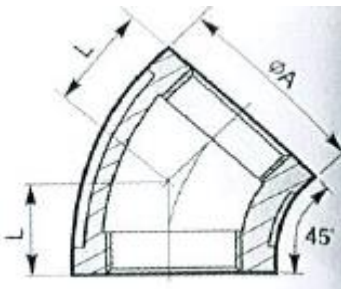
ELBOW 90 EQUAL BANDED F/F



Unit: mm

SIZE	ØA	L
½	29.0	27.0
¾	35.0	33.0
1	43.0	38.0
1 ¼	52.0	45.0
1 ½	58.0	50.0
2	71.0	58.0
2-1/2"	86.5	69.7
3"	99.5	77.5

ELBOW 45 EQUAL BANDED F/F

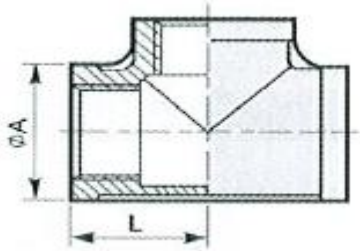


Unit: mm

SIZE	ØA	L
½	29.5	21.0
¾	35.6	24.0
1	43.0	28.0
1 ¼	52.4	33.0
1 ½	58.0	36.0
2	72.0	42.0
2-1/2"	90.0	49.0
3"	106.0	54.1



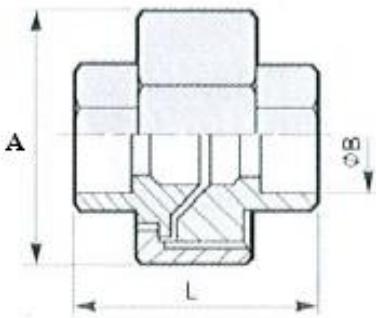
TEE BANDED



Unit: mm

SIZE	ØA	L
1/2	29.0	27.0
3/4	35.0	33.0
1	43.0	38.0
1 1/4	52.0	45.0
1 1/2	58.0	50.0
2	71.0	58.0
2-1/2	87.0	70.0
3	100.0	77.0
4	126.0	95.0

UNION CONICAL JOINT F/F

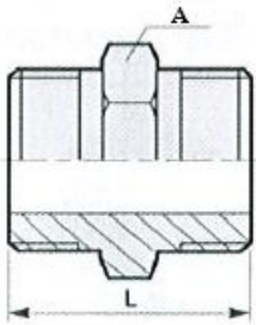


Unit: mm

SIZE	ØA	L
1/4	30.0	30.4
3/8	35.0	32.2
1/2	42.0	37.2
3/4	47.0	41.6
1	53.0	46.0
1-1/4	71	52.0
1-1/2	78.0	54.9
2	92.0	64.5
2-1/2	112.0	74.0
3	126.0	80.5
4	157.0	96.0



HEXAGON NIPPLE



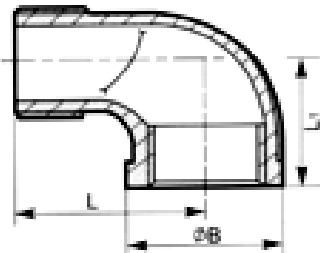
Unit: mm (NPT/PT)

SIZE	ØA	L
¼	16.0	27.8
3/8	19.0	28.0
½	21.6	34.0
¾	30.0	40.0
1	36.0	46.0
1-¼	46.0	52.5
1-½	50.0	54.0
2	65.5	62.0
2-½	79.5	70.0
3	90.0	78.4
4	120.0	94.0

Unit: mm (DIN/BSP)

SIZE	ØA	L
¼	17.0	32.5
3/8	20.0	36.0
½	26.0	42.5
¾	32.0	46.0
1	38.0	51.5
1-¼	46.0	56.0
1-½	52.5	59.0
2	62.0	65.0
2-½	77.0	80.0
3	92.0	90.0
4	118.0	107.0

STREET ELBOW M/F



Unit: mm

SIZE	ØB	L	L1
½	29.0	42.0	27.0
¾	35.0	50.5	33.0
1	43.0	52.0	38.0
1 ¼	52.0	60.0	45.0
1 ½	58.0	65.0	50.0
2	71.0	74.0	58.0



HEX PLUG

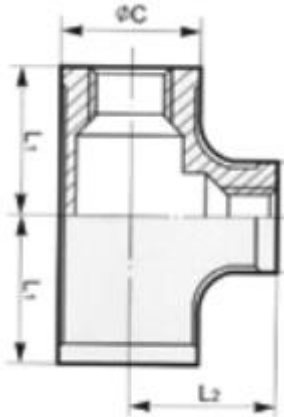


Unit:
mm (NPT/PT)

SIZE	ØSW	L
¼	16.0	17.5
3/8	20.0	18.0
½	24.0	25.0
¾	30.0	26.0
1	38.0	29.0
1-¼	46.0	35.0
1-½	52.0	38.0
2	65.0	39.0
2-½	81.0	44.0
3	94.0	54.0
4	119.0	55.0



Reducing Tee

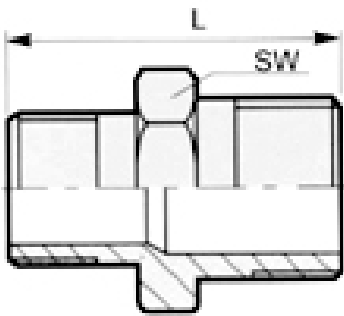


(NPT/BSPT)

SIZE	L	ØC
1/2"x1/8"	34	18
1/2"x1/4"	34	21
1/2"x3/8"	34	26
3/4"x1/4"	37	30
3/4"x3/8"	37	30
3/4"x1/2"	45	30
1"x1/4"	39	35
1"x3/8"	40	35
1"x1/2"	43.2	35
1"x3/4"	50	37
1-1/4" x 3/8"	46	46
1-1/4"x1/2"	48	46
1-1/4"x3/4"	52	46
1-1/4"x1"	54	46
1-1/2"x3/8"	48	50
1-1/2"x1/2"	49	50
1-1/2"x3/4"	53	50
1-1/2"x1"	53	50
1-1/2"x1-1/4"	59	50
2"x1/2"	52	63
2"x3/4"	56	63
2"x1"	57	63
2"x1-1/4"	58	63
2"x1-1/2"	64	64



Reducing Nipple



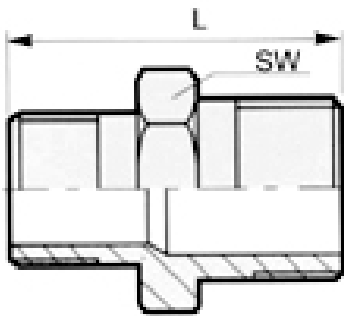
(NPT/BSPT)

SIZE	L	SW
1/4"x1/8"	34	18
3/8"x1/8"	36	21
3/8"x1/4"	34	21
1/2"x1/8"	34	26
1/2"x1/4"	34	26
1/2"x3/8"	41	26
3/4"x1/8"	37	30
3/4"x1/4"	37	30
3/4"x3/8"	37	30
3/4"x1/2"	45	30
1"x1/4"	39	35
1"x3/8"	40	35
1"x1/2"	43.2	35
1"x3/4"	50	37
1-1/4" x 3/8"	46	46
1-1/4"x1/2"	48	46
1-1/4"x3/4"	52	46
1-1/4"x1"	54	46
1-1/2"x3/8"	48	50
1-1/2"x1/2"	49	50
1-1/2"x3/4"	53	50

Unit : MM



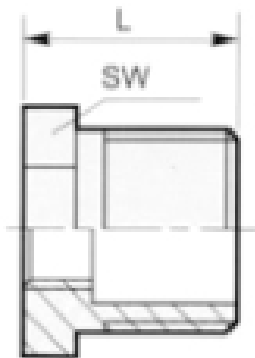
REDUCING NIPPLE



SIZE	L	SW
1-1/2x1"	53	50
1-1/2"x1-1/4"	59	50
2"x1/2"	52	63
2"x3/4"	56	63
2"x1"	57	63
2"x1-1/4"	58	63
2"x1-1/2"	64	64
2-1/2"x1"	63	80
2-1/2"x1-1/4"	66	80
2-1/2"x1-1/2"	66	80
2-1/2"x2"	77	76.3
3"x1"	68	95
3"x1-1/4"	72	95
3"x1-1/2"	72	95
3"x2"	74	95
3"x2-1/2"	84	95
4"x1-1/4"	82	125
4"x1-1/2"	82	125
4"x2"	82	125
4"x2-1/2"	82	125
4"x3"	94	117.4
Unit : MM		



REDUCING BUSHING



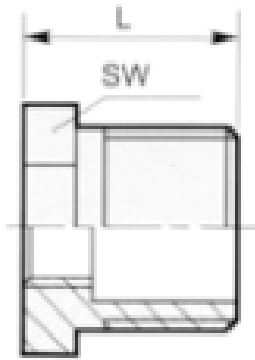
(NPT/BSPT)

SIZE	L	SW
1/4"x1/8"	15.2	16
3/8"x1/8"	16.5	18
3/8"x1/4"	16.5	18
1/2"x1/8"	21.0	26
1/2"x1/4"	21.0	26
1/2"x3/8"	21.0	26
3/4"x1/8"	24.0	30
3/4"x1/4"	24.0	30
3/4"x3/8"	24.0	30
3/4"x1/2"	24.0	30
1"x1/4"	27.0	35
1"x3/8"	27.0	35
1"x1/2"	27.0	35
1"x3/4"	27.0	37
1-1/4" x 3/8"	30.0	46
1-1/4"x1/2"	30.0	46
1-1/4"x3/4"	30.0	46
1-1/4"x1"	30.0	46
1-1/2"x3/8"	38.0	52
1-1/2"x1/2"	38.0	52
1-1/2"x3/4"	38.0	52

Unit : MM



REDUCING BUSHING



SIZE	L	SW
1-1/2"x1"	38.0	52
1-1/2"x1-1/4"	38.0	52
2"x1/2"	36.0	63
2"x3/4"	36.0	63
2"x1"	36.0	63
2"x1-1/4"	36.0	63
2"x1-1/2"	36.0	63
2-1/2"x1"	45.0	81
2-1/2"x1-1/4"	45.0	81
2-1/2"x1-1/2"	45.0	81
2-1/2"x2"	45.0	81
3"x1"	46.5	94.5
3"x1-1/4"	46.5	94.5
3"x1-1/2"	46.5	95
3"x2"	46.5	95
3"x2-1/2"	46.5	95
4"x1-1/4"	51.5	120
4"x1-1/2"	51.5	120
4"x2"	52.0	120
4"x2-1/2"	52.0	120
4"x3"	52.0	120
Unit : MM		

