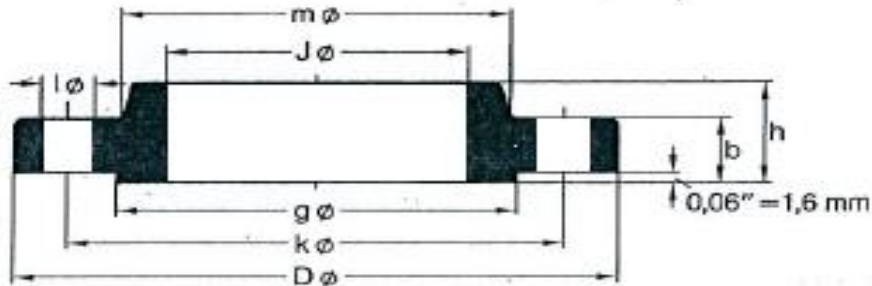


FLANGES



ANSI 150LBS SLIP-ON FLANGE

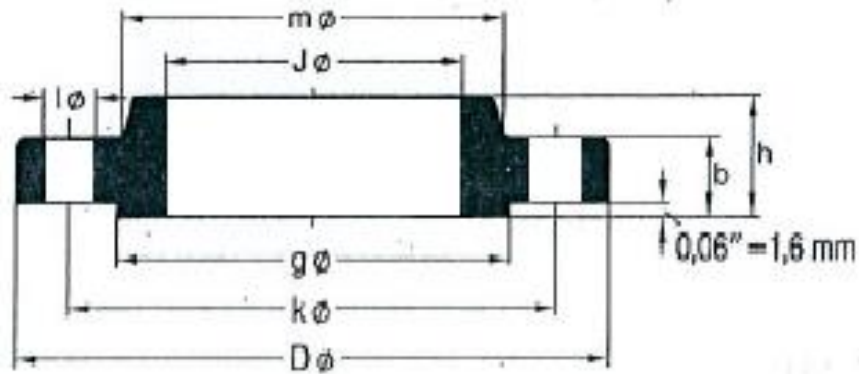


ANSI B 16.5

(unit:
mm)

Pipe		Flange				Hub	Raised Face	Drilling Template			Approx. Weight (kg)
Nom. Size DN	OD	D	J	b	h	m	g	Number of Bolt	l	k	
½	21.3	88.9	22.4	11.2	15.7	30.2	35.1	4	15.7	60.5	0.39
¾	26.7	98.6	27.7	12.7	15.7	38.1	42.9	4	15.7	69.9	0.56
1	33.4	108.0	34.5	14.2	17.5	49.3	50.8	4	15.7	79.2	0.78
1 ¼	42.2	117.3	43.2	15.7	20.6	58.7	63.5	4	15.7	88.9	1.03
1 ½	48.3	127.0	49.5	17.5	22.4	65.0	73.2	4	15.7	98.6	1.32
2	60.3	152.4	62.0	19.1	25.4	77.7	91.9	4	19.1	120.7	2.06
2 ½	73.0	177.8	74.7	22.4	28.4	90.4	104.6	4	19.1	139.7	3.28
3	88.9	190.5	90.7	23.9	30.2	108.0	127.0	4	19.1	152.4	3.85
4	114.3	228.6	116.1	23.9	33.3	134.9	157.2	8	19.1	190.5	5.30
5	141.3	254.0	143.8	23.9	36.6	163.6	185.7	8	22.4	215.9	6.07
6	168.3	279.4	170.7	25.4	39.6	192.0	215.9	8	22.4	241.3	7.45
8	219.1	342.9	221.5	28.4	44.5	246.1	269.7	8	22.4	298.5	12.10
10	273.0	406.4	276.4	30.2	49.3	304.8	323.9	12	25.4	362.0	16.50
12	323.8	482.6	327.2	31.8	55.6	365.3	381.0	12	25.4	431.8	26.20
14	355.6	533.4	359.2	35.1	57.2	400.1	412.8	12	28.4	476.3	34.60
16	406.4	596.9	410.5	36.6	63.5	457.2	469.9	16	28.4	539.8	44.80
18	457.2	635.0	461.8	39.6	68.3	505.0	533.4	16	31.8	577.9	48.90
20	508.0	698.5	513.1	42.9	73.2	558.8	584.2	20	31.8	635.0	61.90

ANSI 300LBS SLIP-ON FLANGE

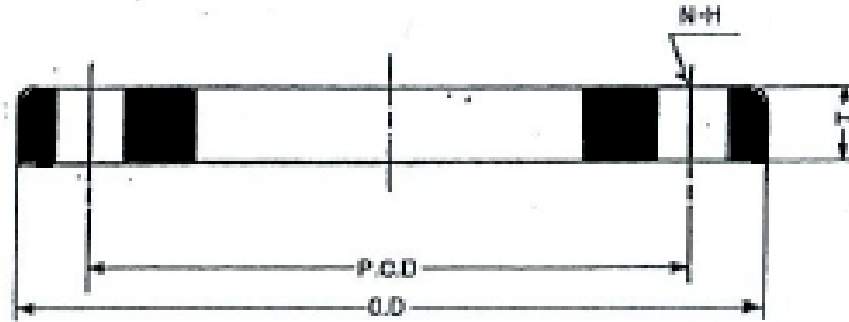


ANSI B 16.5

(unit: mm)

Pipe		Flange				Hub	Raised Face	Drilling Template			Approx. Weight (kg)
Nom. Size DN	O D	D	J	b	h	m	g	Number of Bolt	l	k	
¾	26.7	117.3	27.7	15.7	25.4	47.7	42.9	4	19	82.5	1.12
1	33.4	123.9	34.5	17.5	26.9	53.8	50.8	4	19	88.9	1.36
1 ½	48.3	155.4	49.5	20.6	30.2	69.8	73.1	4	22.3	114.3	2.49
2	60.3	165.1	62.0	22.3	33.2	84.0	91.9	8	19.0	127.0	2.87
3	88.9	209.5	90.7	28.4	42.9	117.3	127.0	8	22.3	168.1	5.85
4	114.3	254.0	116.1	31.7	47.7	146.0	157.2	8	22.3	200.1	9.61
6	168.3	317.5	170.7	36.5	52.3	206.2	215.9	12	22.3	269.7	15.60
8	219.1	381.0	221.5	41.1	61.9	260.3	269.7	12	25.4	330.2	24.20
10	273.0	444.5	276.4	47.7	66.5	320.5	323.8	16	28.4	387.3	34.10
12	323.8	520.7	327.2	50.8	73.1	374.6	381.0	16	31.7	450.8	49.80
16	406.4	647.7	410.5	57.1	82.5	482.6	469.9	20	35.0	571.5	88.10

JIS 5K PLFF FLANGE

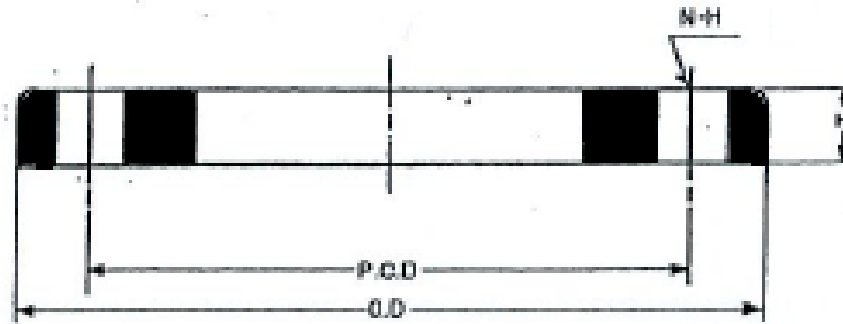


JIS 5 kg/cm²

(Unit: mm)

Pipe		Flange		Drilling template			Nominal Bolt Size	Weight (kg)
Nom. Size DN	O D	D	T	P.C.D	number of holes	H		
½	21.7	80	9	60	4	12	M 10	0.30
¾	27.2	85	10	65	4	12	M 10	0.37
1	34.0	95	10	75	4	12	M 10	0.45
1 ¼	42.7	115	12	90	4	15	M 12	0.78
1 ½	48.6	120	12	95	4	15	M 12	0.83
2	60.5	130	14	105	4	15	M 12	1.07
2 ½	76.3	155	14	130	4	15	M 12	1.49
3	89.1	180	14	145	4	19	M 16	1.99
4	114.3	200	16	165	8	19	M 16	2.39
5	139.8	235	16	200	8	19	M 16	3.23
6	165.2	265	18	230	8	19	M 16	4.41
8	216.3	320	20	280	8	23	M 20	6.33
10	267.4	385	22	345	12	23	M 20	9.45
12	318.5	430	22	390	12	23	M 20	10.30
14"	355.6	480	24	435	12	25	M 22	14.00

JIS 10K PLFF FLANGE

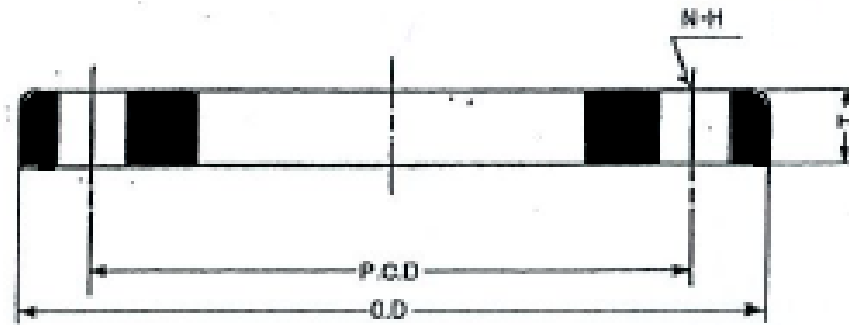


JIS 10kg/cm²

(unit: mm)

Pipe		Flange		Drilling template			Nominal Bolt Size	Weight (kg)
Nom. Size DN	O D	D	T	P.C.D	number of holes	H		
½	21.7	95	12	70	4	15	M 12	0.58
¾	27.2	100	14	75	4	15	M 12	0.74
1	34.0	125	14	90	4	19	M 16	1.13
1 ¼	42.7	135	16	100	4	19	M 16	1.48
1 ½	48.6	140	16	105	4	19	M 16	1.56
2	60.5	155	16	120	4	19	M 16	1.88
2 ½	76.3	175	18	140	4	19	M 16	2.60
3	89.1	185	18	150	8	19	M 16	2.61
4	114.3	210	18	175	8	19	M 16	3.14
5	139.8	250	20	210	8	23	M 20	4.77
6	165.2	280	22	240	8	23	M 20	6.34
8	216.3	330	22	290	12	23	M 20	7.53
10	267.4	400	24	355	12	25	M 22	11.80
12	318.5	445	24	400	16	25	M 22	13.60
14	355.6	490	26	445	16	25	M 22	16.33

JIS 16K PLFF FLANGE

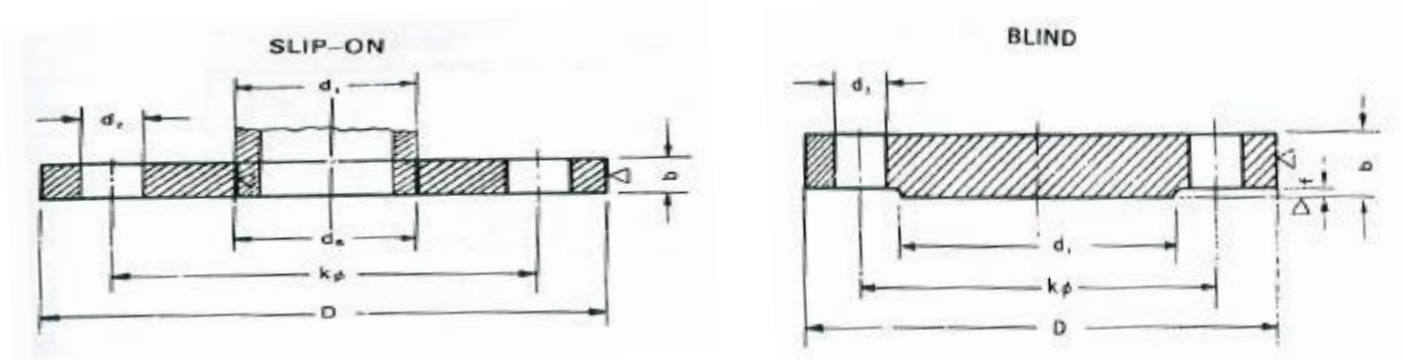


JIS 16kg/cm²

(unit: mm)

Pipe		Flange		Drilling template			Nominal Bolt Size	Weight (kg)
Nom. Size DN	O D	D	T	P.C.D	number of holes	H		
½	21.7	95	12	70	4	15	M12	0.58
¾	27.2	100	14	75	4	15	M12	0.75
1	34.0	125	14	90	4	19	M16	1.16
1 ¼	42.7	135	16	100	4	19	M16	1.53
1 ½	48.6	140	16	105	4	19	M16	1.64
2	60.5	155	16	120	8	19	M16	1.83
2 ½	76.3	175	18	140	8	19	M16	2.58
3	89.1	200	20	160	8	23	M20	3.66
4	114.3	225	22	185	8	23	M20	4.94
5	139.8	270	22	225	8	25	M22	7.00
6	165.2	305	24	260	12	25	M22	9.62
8	216.3	350	28	305	12	25	M22	12.10
10	267.4	430	34	380	12	27	M24	20.00
12	318.5	480	38	430	16	27	M24	24.40
14	355.6	540	34	480	16	33	M30	35.00

PN 6 PLFF FLANGE

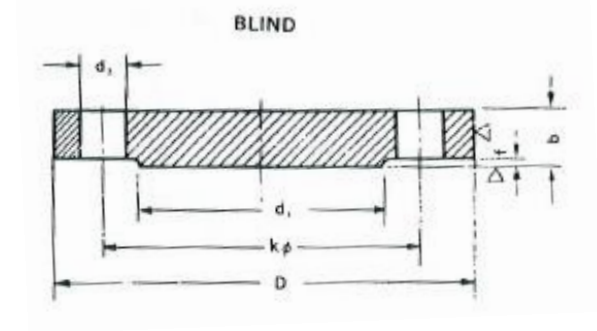
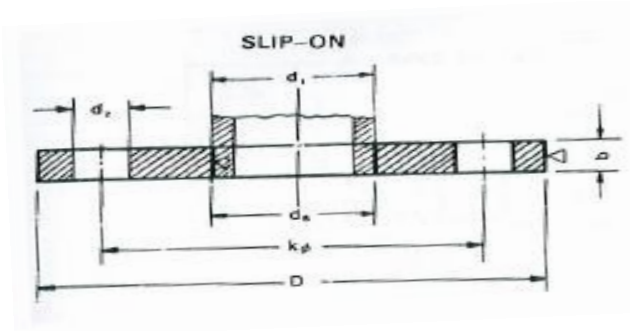


PN 6

(unit: mm)

Pipe		Flange		Drilling template			Nominal Bolt Size	Weight (kg)
Nom. Size DN	O D	D	T	P.C.D	number of holes	H		
½	21.3	80	12	55	4	11.5	M 10	0.41
¾	26.9	90	14	65	4	11.5	M 10	0.60
1	33.7	100	14	75	4	11.5	M 10	0.74
1 ¼	42.4	120	16	90	4	14	M 10	1.19
1 ½	48.3	130	16	100	4	14	M 12	1.39
2	60.3	140	16	110	4	14	M 12	1.53
2 ½	76.1	160	16	130	4	14	M 12	1.89
3	88.9	190	18	150	4	18	M 16	2.98
4	114.3	210	18	170	4	18	M 16	3.46
5	139.7	240	20	200	8	18	M 16	4.60
6	168.3	265	20	225	8	18	M 16	5.22
8	219.1	320	22	280	8	18	M 16	7.15
10	273	375	24	355	12	18	M 16	9.61
12	323.8	440	24	395	12	22	M 20	12.60
14	355.6	490	26	445	12	22	M 20	15.50

PN 10 PLFF FLANGE



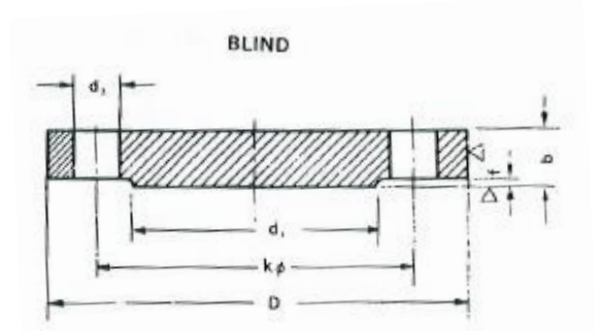
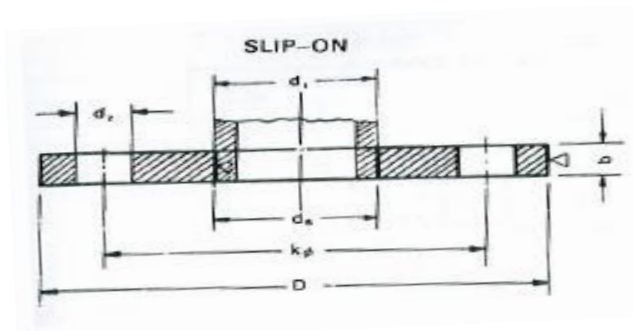
PN 10

(unit: mm)

Pipe		Flange		Drilling template			Nominal Bolt Size	Weight (kg)
Nom. Size DN	O D	D	T	P.C.D	number of holes	H		
1/2	21.3	95	14	65	4	14	M 12	0.675
3/4	26.9	105	16	75	4	14	M 12	0.947
1	33.7	115	16	85	4	14	M 12	1.14
1 1/4	42.4	140	16	100	4	18	M 16	1.66
1 1/2	48.3	150	16	110	4	18	M 16	1.89
2	60.3	165	18	125	4	18	M 16	2.51
2 1/2	76.1	185	18	145	4	18	M 16	3.00
3	88.9	200	20	160	4	18	M 16	3.79
4	114.3	220	20	180	8	18	M 16	4.20
5	139.7	250	22	210	8	18	M 16	5.71
6	168.3	285	22	240	8	22	M 20	6.72
8	219.1	340	24	295	8	22	M 20	9.50
10	273	395	26	350	12	22	M 20	12.50
12	323.8	445	26	400	12	22	M 20	14.40
14	355.6	505	30	460	16	22	M 20	17.40



PN 16 PLFF FLANGE



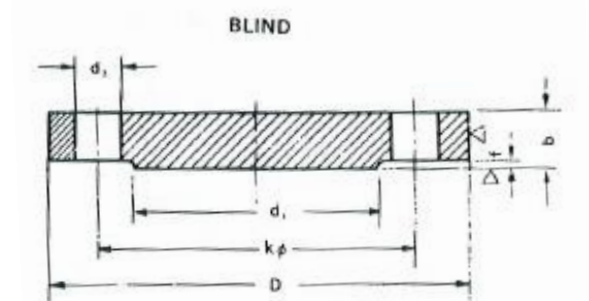
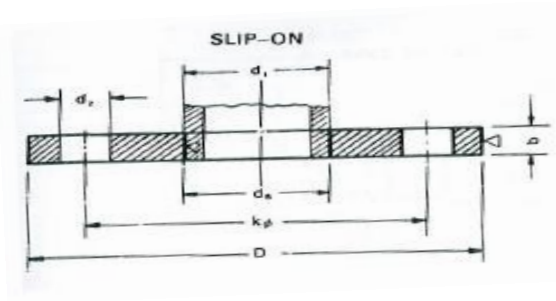
PN 16

(unit: mm)

Pipe		Flange		Drilling template			Nominal Bolt Size	Weight (kg)
Nom. Size DN	O D	D	T	P.C.D	number of holes	H		
1/2	21.3	95	14	65	4	14	M 12	0.690
3/4	26.9	105	16	75	4	14	M 12	0.940
1	33.7	115	16	85	4	14	M 12	1.12
1 1/4	42.4	140	16	100	4	18	M 16	1.64
1 1/2	48.3	150	16	110	4	18	M 16	1.87
2	60.3	165	18	125	4	18	M 16	2.50
2 1/2	76.1	185	18	145	4	18	M 16	3.04
3	88.9	200	20	160	8	18	M 16	3.65
4	114.3	220	20	180	8	18	M 16	4.04
5	139.7	250	22	210	8	18	M 16	5.47
6	168.3	285	22	240	8	23	M 20	6.59
8	219.1	340	24	295	12	23	M 20	9.00
10	273	405	26	355	12	27	M 24	12.90
12	323.8	460	28	410	12	27	M 24	16.70
14	355.6	520	30	470	16	27	M 24	24.20



PN 25 PLFF FLANGE



PN 25

(unit: mm)

Pipe		Flange		Drilling template			Nominal Bolt Size	Weight (kg)
Nom. Size DN	O D	D	T	P.C.D	number of holes	H		
1/2	21.3	95	16	65	4	14	M 12	-
3/4	26.9	105	18	75	4	14	M 12	-
1	33.7	115	18	85	4	14	M 12	-
1 1/4	42.4	140	18	100	4	18	M 16	-
1 1/2	48.3	150	18	110	4	18	M 16	-
2	60.3	165	20	125	4	18	M 16	-
2 1/2	76.1	185	22	145	8	18	M 16	-
3	88.9	200	24	160	8	18	M 16	-
4	114.3	235	24	190	8	23	M 20	-
5	139.7	270	26	220	8	27	M 24	-
6	168.3	300	28	250	8	27	M 24	-
8	219.1	360	30	310	12	27	M 24	-
10	273	425	32	370	12	30	M 27	-
12	323.8	485	34	430	16	30	M 27	-
14	355.6	555	38	490	16	30	M 27	-