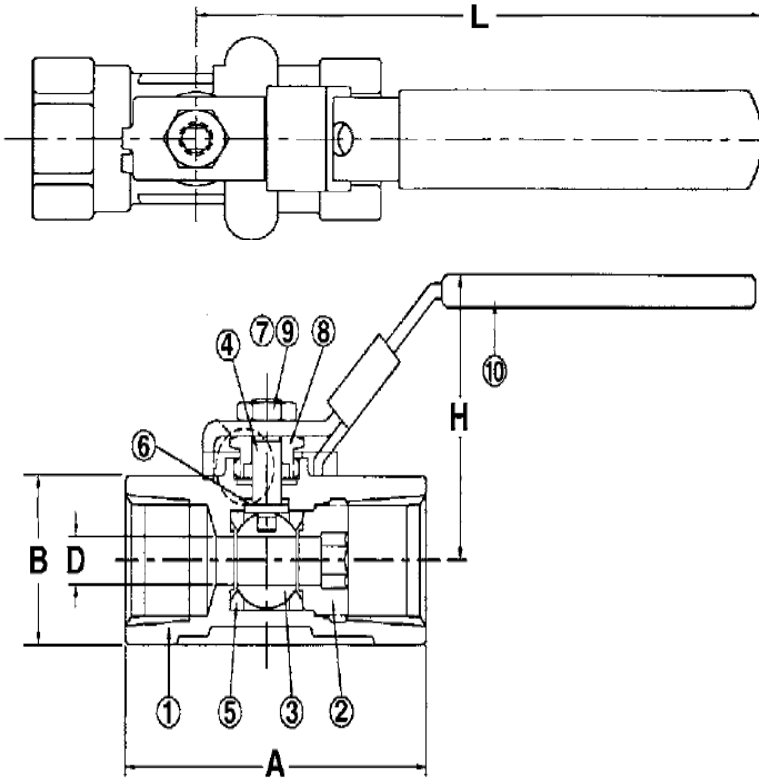


BALL VALVE



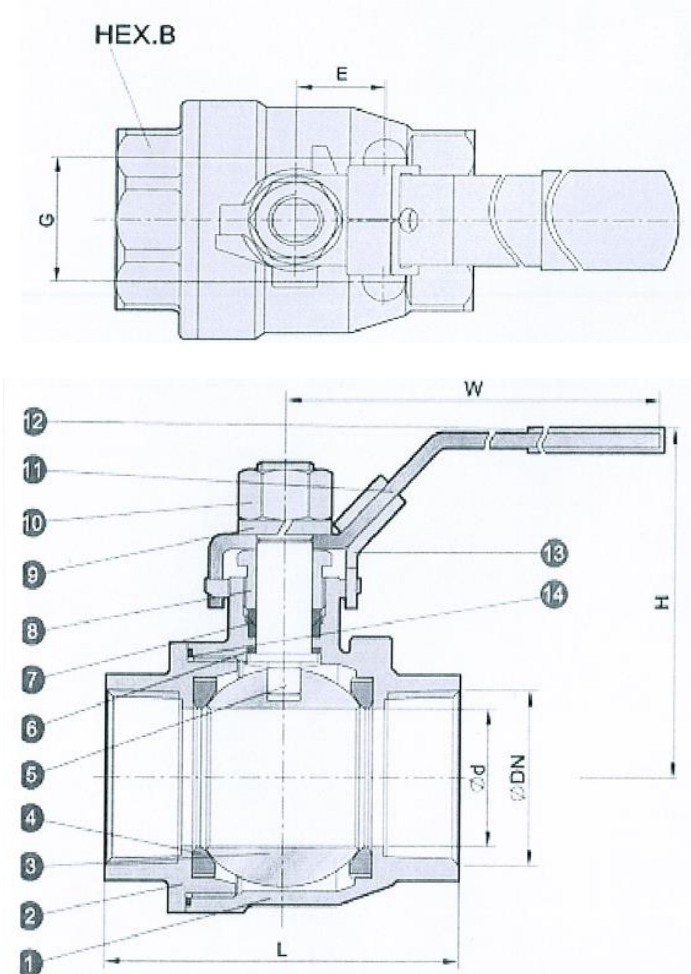
1000 WOG 1-PC BALL VALVE (REDUCED PORT)



MATERIAL LIST		
NO	PART NAME	SPECIFICATION
1	BODY	ASTM A 351 - CF8M
2	BODY INSERT	ASTM A 351 - CF8M
3	BALL	ASTM A 351 - CF8M / A276 - 316
4	STEM	A276 - 316
5	SEAT	PTFE
6	THRUST WASHER	PTFE
7	STEM PACKING	PTFE
8	THREADED PACK GLAND	A276 - 316
9	HANDLE NUT	SUS 304
10	LOCKING HANDLE	SUS 304

DIMENSIONS (MM)					
SIZE	A	D	L	H	DN
1/4"	39	4.6	65	31	NPT; BSP; etc
3/8"	44	6.8	85	36	
1/2"	56.5	9.2	95	41	
3/4"	59	12.5	95	44	
1"	71	15	111	48	
1-1/4"	78	20	111	54	
1-1/2"	83	25	135	65	
2"	100	32	135	72	
2-1/2"	120	38	154	80	
3"	140	50	191	100	
4"	160	58	195	125	

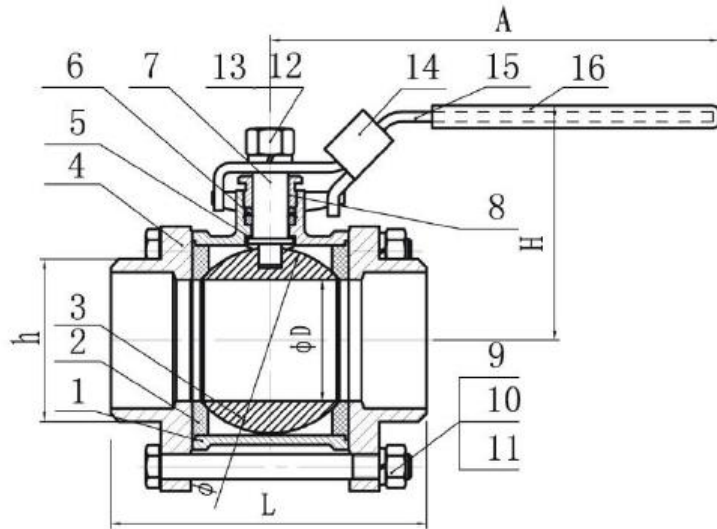
1000 WOG 2-PC BALL VALVE (FULL PORT)



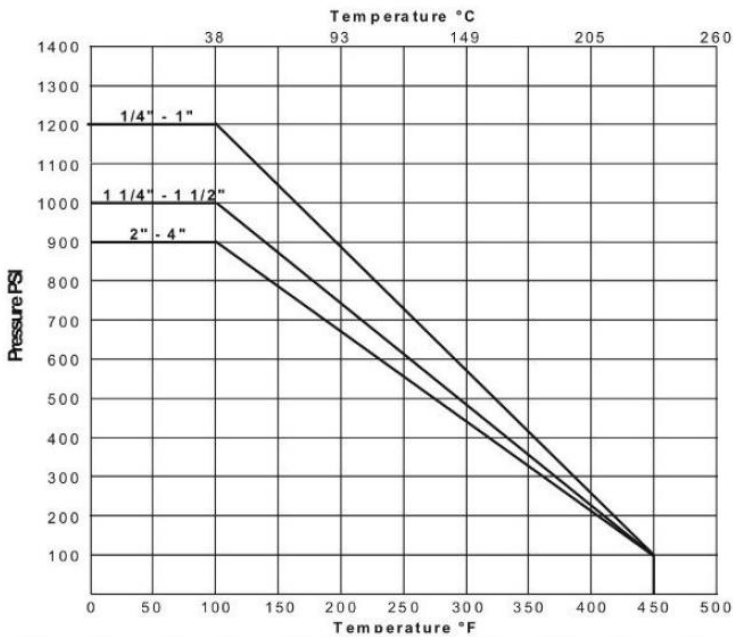
MATERIAL LIST		
NO	PART NAME	SPECIFICATION
1	BODY	ASTM A 351 - CF8M
2	CAP	ASTM A 351 - CF8M
3	BALL	ASTM A 351 - CF8M
4	BALL SEAT	PTFE
5	STEM	A276-316
6	THRUST WASHER	PTFE
7	STEM PACKING	PTFE
8	GRAND NUT	SUS304
9	STEM WASHER	SUS304
10	STEM NUT	SUS304
11	HANDLE	SUS304
12	HANDLE SLEEVE	VINYL PLASTIC
13	LOCK DEVICE	SUS304
14	BODY GASKET	PTFE

DIMENSIONS (MM)						
SIZE	d	L	H	W	G	DN
1/4"	10.6	56	58	100	28.5	NPT; BSP; etc
3/8"	12	56	58	100	28.5	
1/2"	15	60	58	100	28.5	
3/4"	20	72.4	64	129	34.8	
1"	25	85	77	156	34.8	
1-1/4"	32	94	83	156	38.1	
1-1/2"	38	105	86	182.5	38.1	
2"	50	125	102	182.5	38.1	
2-1/2"	63.5	155	129	252	65	
3"	76	173	138.5	252	65	

1000WOG 3PC BODY BALL VALVE BW/SW



MATERIAL LIST		
NO	PART NAME	SPECIFICATION
1	BODY	CF8/CF8M/WCB
2	SEAT	RPTFE/PTFE/PPL/PEEK
3	BALL	SUS 304/316
4	END CAP	CF8/CF8M/WCB
5	THRUST WASHER	RPTFE/PTFE
6	STEM PACKING	RPTFE/PTFE
7	STEM	SUS 304/316
8	GLAND NUT	SUS 304/316
9	BODY NUT	SUS 304/316
10	SPRING WASHER	SUS 304/316
11	BODY BOLT	SUS 304/316
12	SPRING WASHER	SUS 304/316
13	HANDLE NUT	SUS 304/316
14	LOCKING DEVICE	SUS 304/316
15	HANDLE	SUS 304/316
16	PLASTIC COVER	PLASTIC

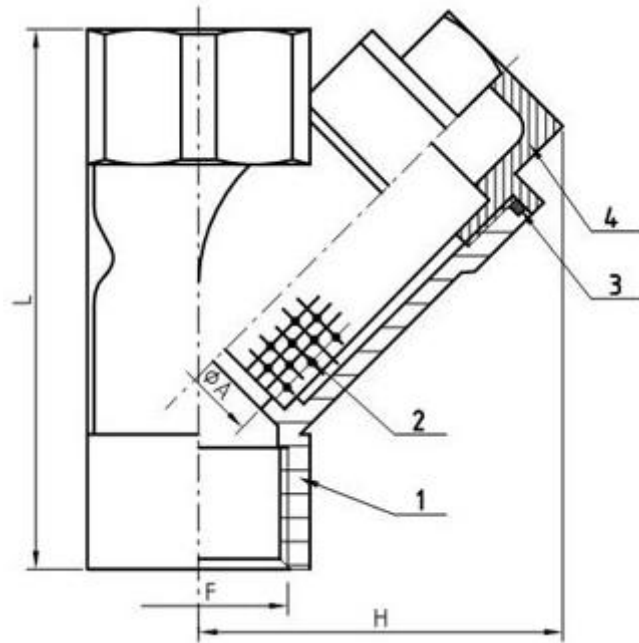


DIMENSIONS (MM)						
SIZE	d	L	H	A	G	φ
1/4	12.5	64	48	105	38	21.5
3/8	12.5	64	48	105	38	21.5
1/2	15	72	50	105	44	25.5
3/4	20	80	56	126	51	32
1	25	85	67	144	60	39
1 1/4	32	105	72	144	72	50
1 1/2	38	113	93	189	80	60
2	50	132	101	189	94	76.5
2 1/2	65	170	125	224	123	97
3	76	186	135	224	144	115
4	94	226	168	298	215	148

Y STRAINER



Y-STRAINER



Working pressure:
800PSI (PN55)
Working temperature:
-10° C-150° C
Suitable medium:
W. O. G
Threaded end:
BSPT, NPT, DIN2999

Dimensions

Size	A	H	L	F	kgs/pc
1/4	12	41.5	65	1/4	0.24
3/8	12	41.5	65	3/8	
1/2	15	41.5	65	1/2	0.22
3/4	20	52.5	80	3/4	0.37
1	25	67.5	90	1	0.69
1 1/4	32	71	105	1 1/4	0.86
1 1/2	40	80.5	120	1 1/2	1.20
2	50	95	140	2	1.89

MATERIAL LIST

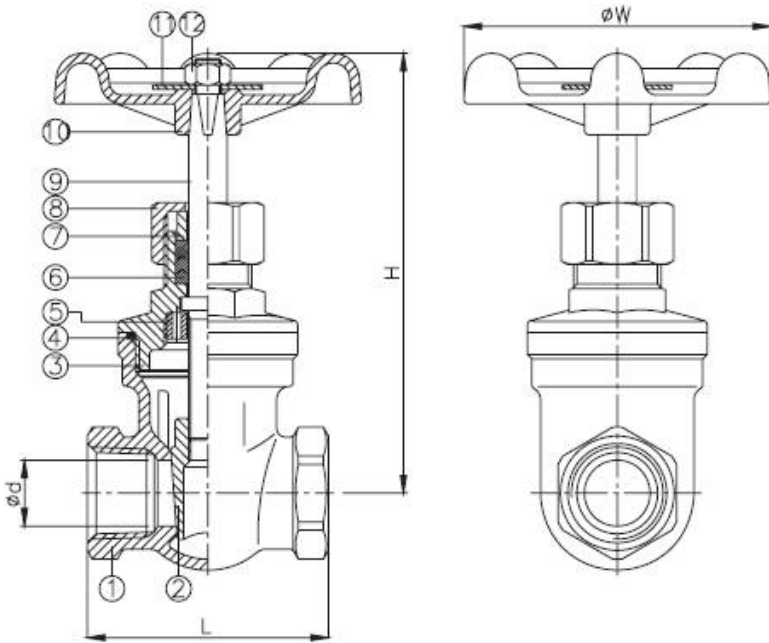
NO.	NAME	MATERIAL
1	BODY	CF8/CF8M
2	SCREEN	316
3	GASKET	PTFE
4	BONNET	CF8/CF8M



GATE VALVE



Screwed End Gate Valve



ITEM	PARTS	MATERIAL
1	BODY	ASTM A351-CF8M
2	DISC	
3	BONNET	
4	SEAL	PTFE
5	GASKET	AISI 304
6	PACKING	PTFE
7	GLAND RING	AISI 304
8	CAP NUT	ASTM A351-CF8M
9	STEM	AISI 316
10	HANDLE	ALUMINUM
11	NAMEPLATE	
12	NUT	AISI 304

- W. P.: 200WOG
- W. T.: -20°C ~200°C (-4°F~392°F)
- Investment casting
- Non-rising stem
- Thread type: ASME B1.20.1 (NPT), DIN 2999 & BS21, ISO7/1 & EN10226

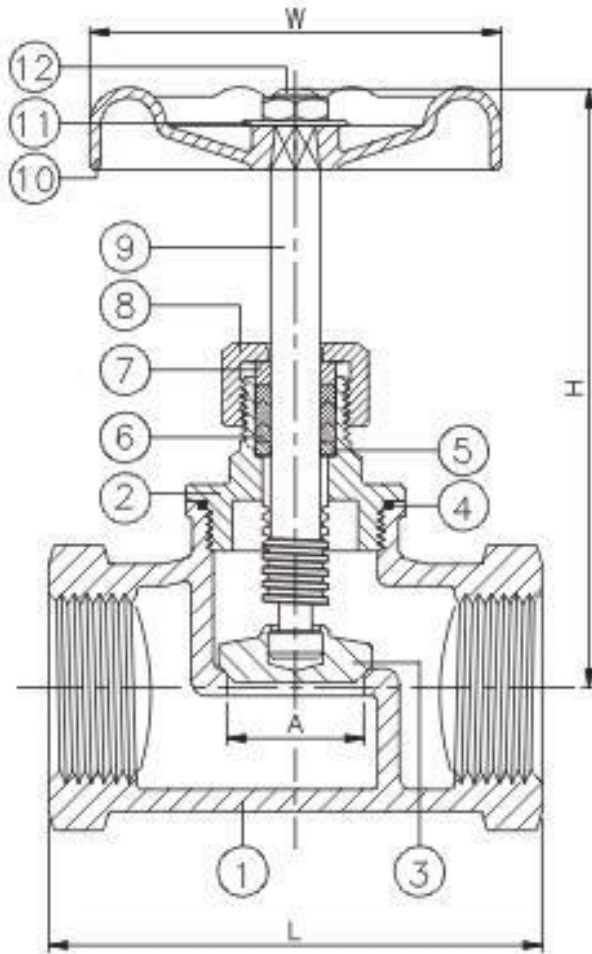
DN	d	L	H	W	Weight (kg)
15	15	55	101	70	0.4
20	20	60	108	70	0.5
25	25	65	118	80	0.7
32	32	75	132	80	1
40	38	85	149	90	1.4
50	50	95	175	100	2.1
65	65	116	213	140	5.8
80	80	130	241	140	8.8



GLOBE VALVE



Screwed End Globe Valve



ITEM	PARTS	MATERIAL
1	BODY	ASTM A351-CF8M
2	BONNET	
3	DISC	
4	SEAL	PTFE
5	WASHER	AISI 304
6	PACKING	PTFE
7	GLAND RING	AISI 304
8	CAP NUT	AISI 316
9	STEM	
10	HANDLE	ALUMINUM
11	NAMEPLATE	
12	STEM NUT	AISI 304

DN	L	H	W	A	Weight (kg)
15	52	105.5	70	13.6	0.3
20	52	105.5	70	13.6	0.3
25	52	107	70	13.6	0.3
40	66	116	80	17.6	0.5
50	76	129.2	80	22.6	0.7
65	86	153.5	90	29.5	1
80	94	157	100	30.5	1.3
100	118	172	100	42.5	1.8

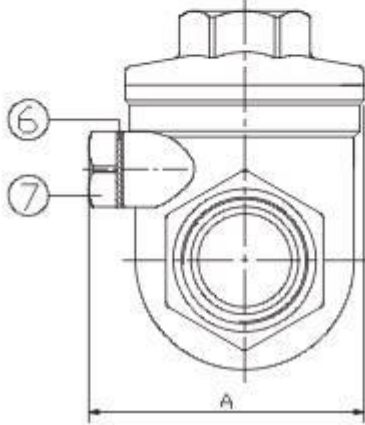
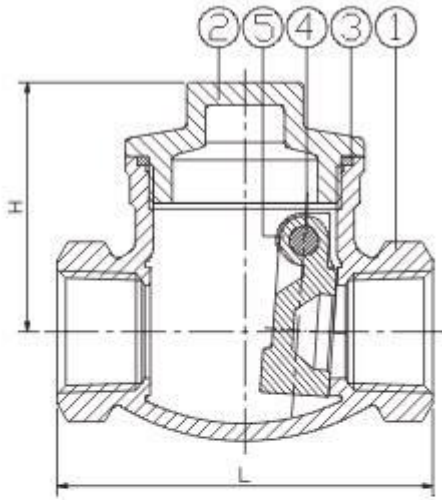
- W. P.: 200WOG
- W. T.: -20°C~200°C (-4°F~392°F)
- Investment casting
- Thread type: ASME B1.20.1 (NPT) DIN2999 & BS21 ISO7/1 & EN10226



SWING CHECK VALVE



Screwed End Swing Check Valve



ITEM	PARTS	MATERIAL
1	BODY	ASTM A351-CF8M
2	CAP	
3	SEAL	PTFE
4	PLUG	AISI 316
5	DISC	ASTM A351-CF8M
6	GASKET	PTFE
7	BOLT	AISI 304

DN	L	H	A	Weight (kg)
15	65	44	46.5	0.4
20	80	52	52	0.4
25	89	62	56	0.7
32	105	67	65	0.9
40	120	79	75	1.5
50	139	80	84	2.2
65	181	96	108	5.3
80	200	104	137	7.7

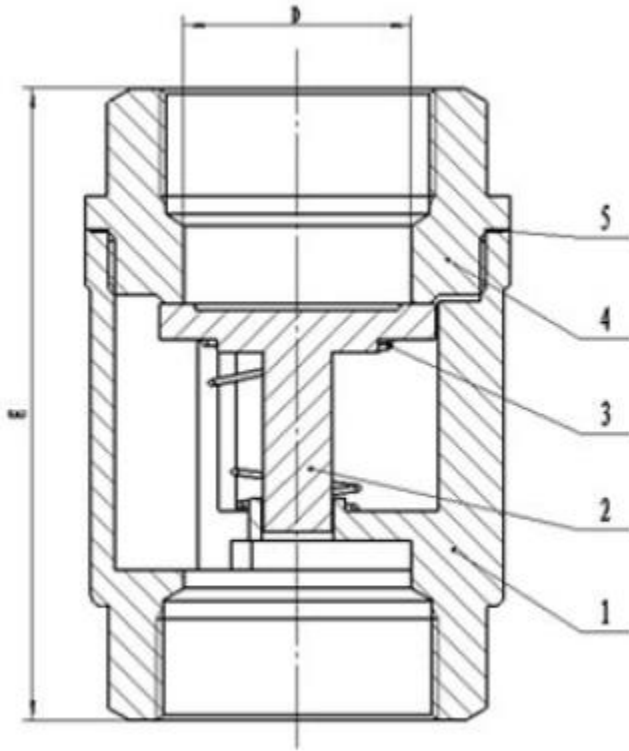
- W. P.: 200WOG
- W. T.: -20°C ~200°C (-4°F~392°F)
- Investment casting
- Thread type: ASME B1.20.1 (NPT), DIN 2999 & BS21, ISO7/1 & EN10226



VERTICAL CHECK VALVE



Vertical Check Valve



Dimensions (mm)

Size	D	H
10	11	56
15	14	61
20	18	68
25	24	82
32	30.5	91
40	38	106
50	47	121
65	64	126

- W. P.: 0.6~16Mpa
- W. T.: < 170°C
- Medium: Water, Oil, Steam, Nitric Acid, Etc
- Thread type: DIN 2999 & BS21, ISO7/1 & EN10226

Material

No.	Part Name	Material
1	Body	Stainless Steel
2	Disc	Stainless Steel
3	Spring	1Cr18Ni9Ti
4	Cap	Stainless Steel
5	Ring	PTFE

